

PRODUCT CATALOGUE 2026



ROSTEX®

ABOUT THE COMPANY

ROSTEX VYŠKOV, s.r.o.
CZECH MANUFACTURING COMPANY
WITH MORE THAN 100 YEARS TRADITION



WARRANTY

Selected finishes with a prolonged warranty
(5 years Cr-stainless steel and 10 years stainless steel satin)



CYLINDER PROTECTOR

- tested according to EN 1906
- security grades - RC3 and RC4
- with drilling resistant ring
- firmly welded to the lockplate
- made from stainless steel



SYMBOLS:

BB - key hole

PZ - cylinder hole

WC - toilet knob

3 - resistant class 3

4 - resistant class 4

DIN EN 179



escape route

 - design with plastic fixing inserts

Z - design with fixing metal attachments

3 - designed for high traffic doors

 - strengthened construction for greater loading

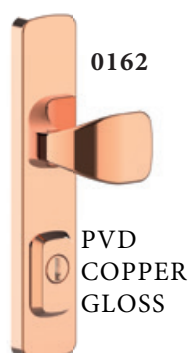
 - designed for fire proof doors

 - universal handle, for both door and security fittings

 - reversible mechanism (reversible spring)

 - tested to 200 000 cycles

SURFACE FINISHES



PVD SURFACE FINISH

PVD is an advanced technology in which a metal layer is deposited in a vacuum.

The result is a thin but extremely hard surface highly resistant to wear and weather conditions. The color shade may slightly vary between individual production batches. **Hardware with this surface finish is manufactured on request.**

POWDER COATING (COMAXIT)



Powder coating is a modern surface finishing technology in which paint in the form of dry powder is applied to the coated part using an electrostatic spray gun and subsequently cured in a curing oven under precisely defined conditions, where the powder coating melts into a hard layer.

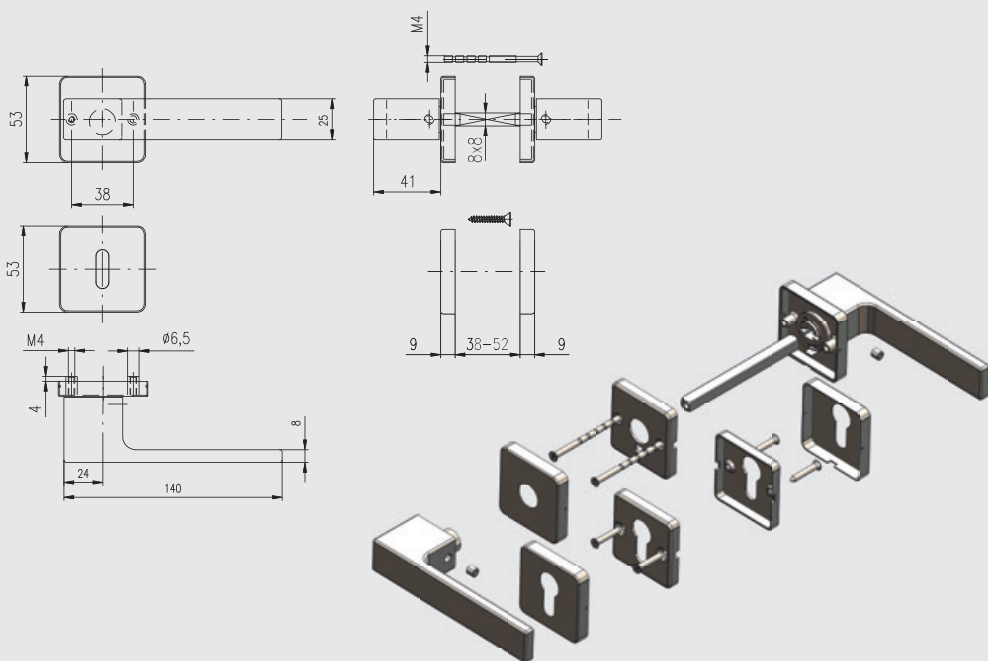
The main difference compared to conventional wet painting is that powder coating does not require solvents to combine fillers, binders and pigments into a liquid suspension and does not contain any volatile substances, thus it does not burden the environment nor harm the health of workers during application.

DOOR HANDLES

SQUARE ROSES - DESIGN/H

- Material stainless steel
- Concealed steel under roses
- Classification acc. to EN 1906: 37-B030A
- Door thickness 38-52 mm
- (WC version - door thickness 38-43 mm)
- Included reversible spring

Z DESIGN WITH FIXING METAL ATTACHMENTS



CASTELO/H with metal bolts



stainless steel satin



black



PVD copper matt



PVD platinum matt



PVD titan matt



DANTE/H with metal bolts



stainless steel satin



black



PVD copper matt



PVD platinum matt



PVD titan matt



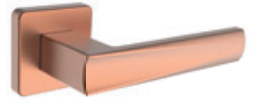
EMONT/H with metal bolts



stainless steel satin



black



PVD copper matt



PVD platinum matt



PVD titan matt



FONDI/H with metal bolts



stainless steel satin



black



PVD copper matt



PVD platinum matt



PVD titan matt



ECONOMY LINE

PORTO/H with metal bolts



stainless steel satin



black



PVD copper matt



PVD platinum matt



PVD titan matt



RAVENA/H with metal bolts



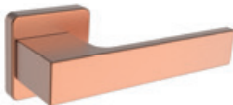
stainless steel satin



black



white



PVD copper matt



PVD platinum matt



PVD titan matt



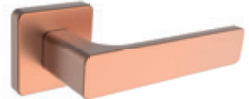
SAVONA/H with metal bolts



stainless steel satin



black



PVD copper matt



PVD platinum matt



PVD titan matt



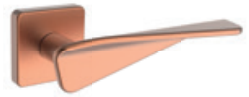
VICENZA/H with metal bolts



stainless steel satin



black



PVD copper matt



PVD platinum matt



PVD titan matt



DOOR HANDLES

SQUARE ROSES - DESIGN/H LUMINO

LUMINO HANDLES

- Lumino handles incorporate glass capillary filled with tritium gas
- Self-luminous lever handle
- Visible up to 15 m in the dark
- Maintenance-free, without external energy source
- 15 years of operation life
- Suitable for outdoor use

FONDI/H LUMINO



black

RAVENA/H LUMINO



black

RAVENA/H BLOK

Locking mechanism integrated directly into a handle

Elegant and practical solution for interior doors of bathrooms and toilets - without lower rosettes

For door thickness 38-43 mm, upon request up to 55 mm.

- **Clean design, maximum functionality**
Lever handle set with rosettes, made of brushed stainless steel, featuring an integrated sliding locking mechanism
- **Saves time and material**
No need to install a lower WC rosette with a turn knob
- **Quick and easy installations**
Installation is identical to standard lever handle sets with rosettes - suitable for standard PZ, BB and WC locks. It is necessary to determine the handle orientation - right or left
- **One-finger operation**
Intuitive sliding knob on the top of the handle. Clear indicator showing locked/unlocked status. Emergency release from the outside is possible



SQUARE ESCUTCHEONS DESIGN/H



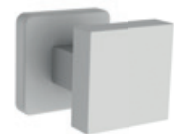
stainless steel satin



black



white



anthracite



PVD copper matt



PVD platinum matt



PVD titan matt

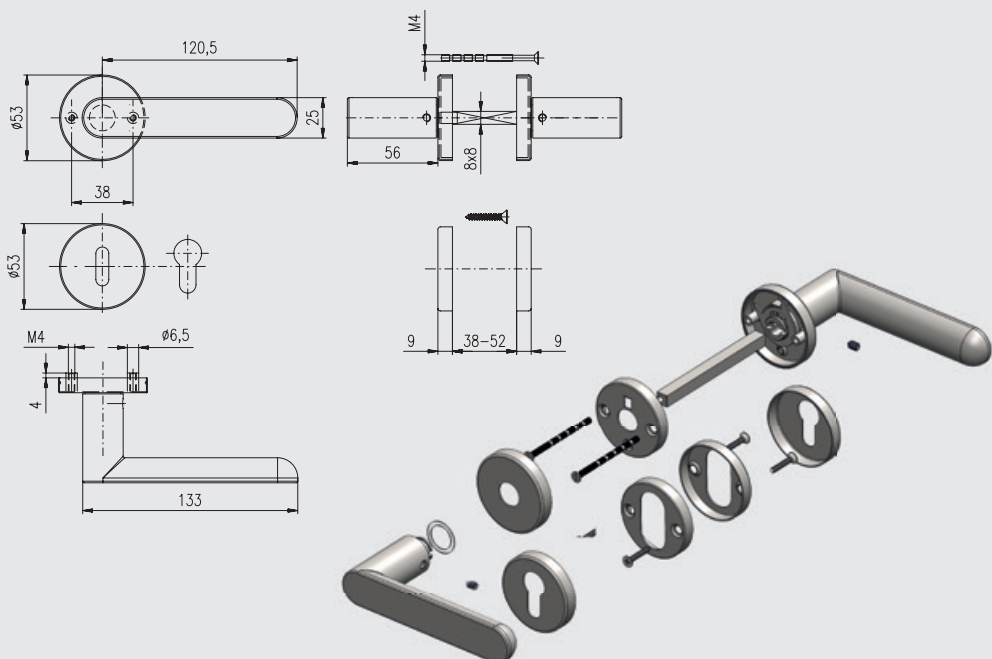


K15 knob DESIGN/H

DOOR HANDLES ROUND ROSES - DESIGN/N

- Material stainless steel
- Concealed steel under roses
- Classification acc. to EN 1906: 37-B030A
- Door thickness 38-52 mm
(WC version - 38-43 mm)
- Included reversible spring

Z DESIGN WITH FIXING METAL ATTACHMENTS



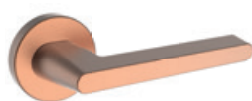
MESINA/N



stainless steel satin



black



PVD copper matt



PVD platinum matt



PVD titan matt



RIMINI/N with metal bolts



stainless steel satin



black



PVD copper matt



PVD platinum matt



PVD titan matt



SALERNO/N with metal bolts



stainless steel satin



black



PVD copper matt



PVD platinum matt



PVD titan matt



ECONOMY LINE

ROUND ESCUTCHEONS DESIGN/S



stainless steel satin



black



PVD copper matt



PVD platinum matt



PVD titan matt



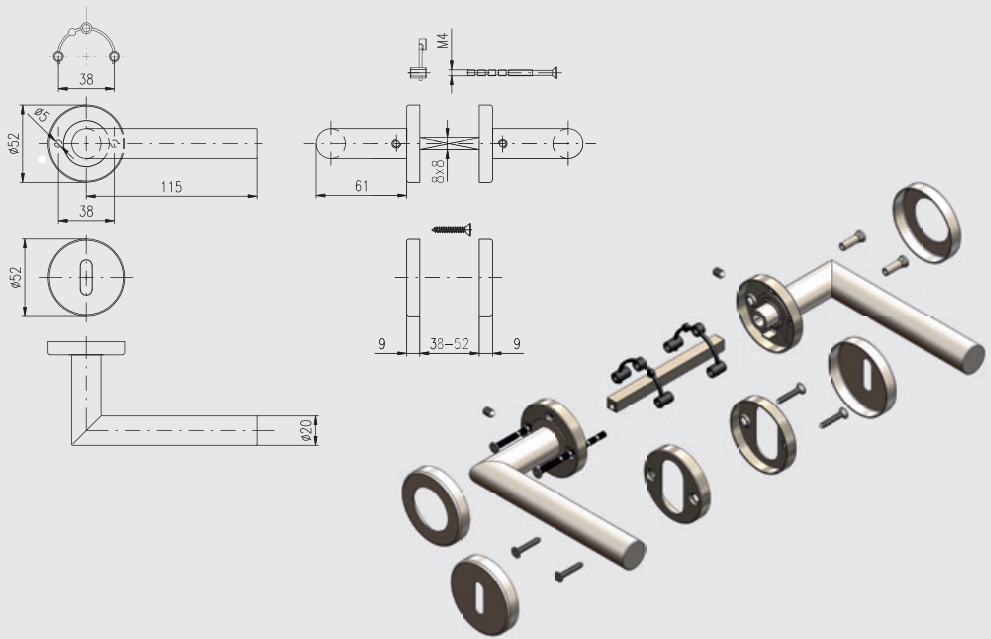
K13 knob DESIGN/S

DOOR HANDLES ON ROUND ROSES

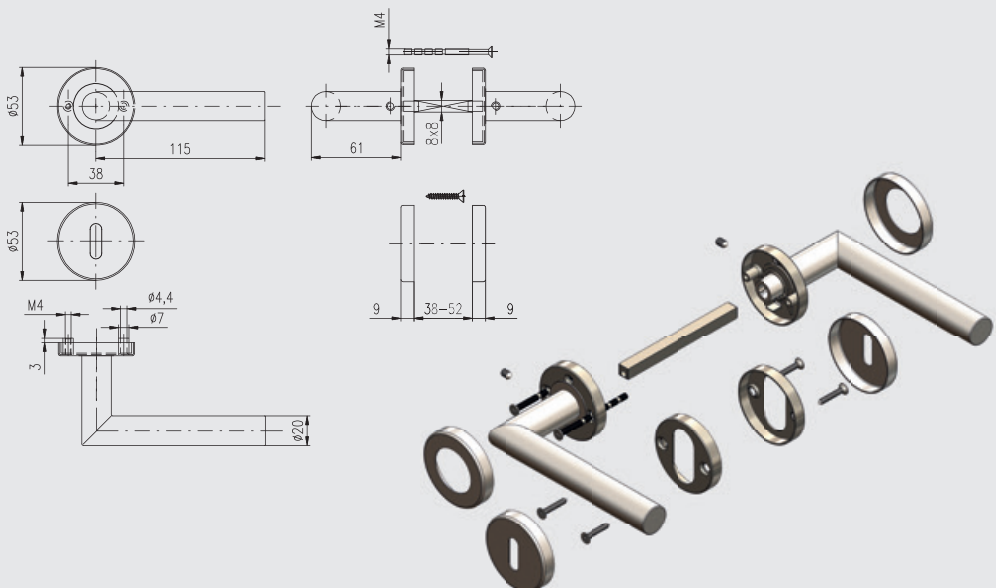
- Material stainless steel
- Concealed steel under roses
- Classification acc. to EN 1906: 37-B030A
- Door thickness 38-52 mm (WC version - 38-43 mm)
- Included reversible spring



DESIGN WITH PLASTIC FIXING INSERTS



DESIGN WITH FIXING METAL ATTACHMENTS



ECONOMY LINE

ALBACETE



stainless steel satin



ALBACETE for greater loading with metal bolts



stainless steel satin



BERGAMO with metal bolts



stainless steel satin



BOLZANO with metal bolts



stainless steel satin



CORNO with metal bolts



stainless steel satin



CORTINA with metal bolts



stainless steel satin



* section of the handle

FERARA



MILANO with metal bolts



NAPOLI



PALERMO with metal bolts



VIGO



VIGO with metal bolts



* section of the handle

ECONOMY LINE

ROUND ESCUTCHEONS



K1 ball knob
- fixed



K6 knob on rose
- moving



K8 knob-knob
- fixed or moving



K12 round knob

VIGO with metal bolts



black satin



BRIT/SNH



stainless steel satin



EXCLUSIVE/SNH



stainless steel satin



stainless steel polished

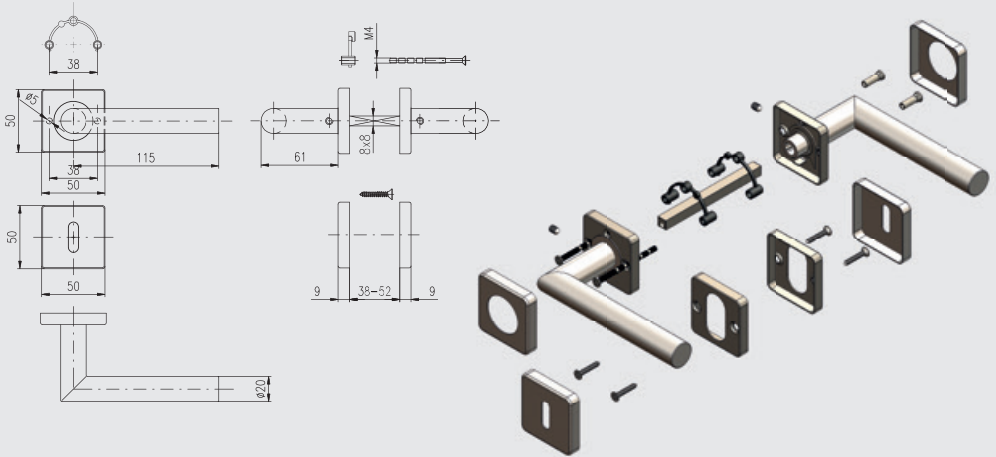


* section of the handle

DOOR HANDLES ON SQUARE ROSES

- Material stainless steel
- Concealed steel under rose
- Classification acc. to EN 1906: 37-B030A
- Door thickness 38-52 mm (WC version 38-43 mm)
- Included reversible spring

DESIGN WITH PLASTIC FIXING INSERTS



BOLOGNA/H



MANDELO/H



MARSIA/H



* section of the handle

ECONOMY LINE

MILANO/H



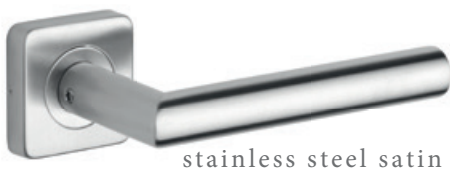
PARMA/H



TREVISO/H



VIGO/H



SQUARE ESCUTCHEONS



K4 knob on rose - stainless steel satin



ACCESSORY

SIGN PLATES

round, self-adhesive, size: Ø75 mm



SIGN PLATES

square, self-adhesive, size: 80x80 mm



DOOR STOP K1

size: Ø30 mm



stainless steel satin

FINGER PULL

30 × 30 mm, hole diameter 19 mm, mortise depth 21.5 mm



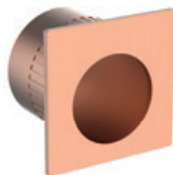
stainless steel



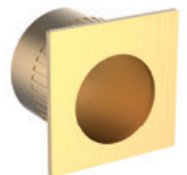
black



PVD platinum matt



PVD copper matt

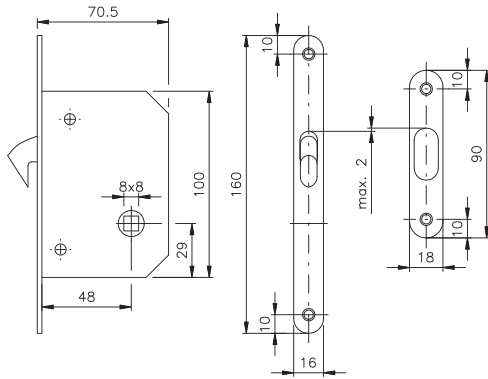


PVD titan matt

ECONOMY LINE

MORTISE LOCK

for sliding door
stainless steel satin



SLIDING DOOR HANDLES, FLUSH PULL HANDLES

ROUND

size: \varnothing 50 mm, depth 11 mm, hole diameter 32 mm



OVAL

size: length 120mm, width 40 mm, depth 11,50 mm



stainless steel
satin



black

RECTANGULAR

size: length 120 mm, width 50 mm, depth 11,00 mm



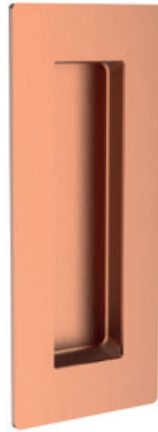
stainless steel
satin



black



PVD platinum
matt



PVD copper
matt



PVD titan matt

RECTANGULAR

size: length 150 mm, width: 50 mm, depth 12,50 mm



stainless steel
satin



black



PVD platinum
matt



PVD copper
matt

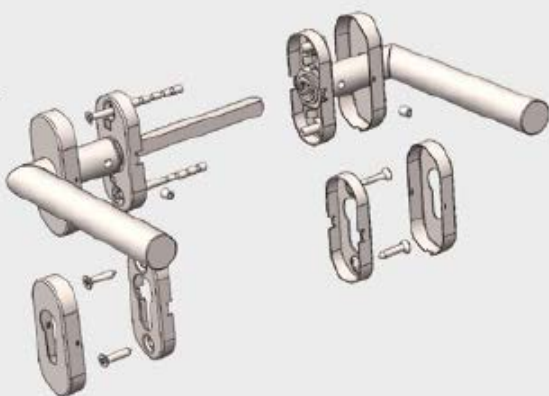
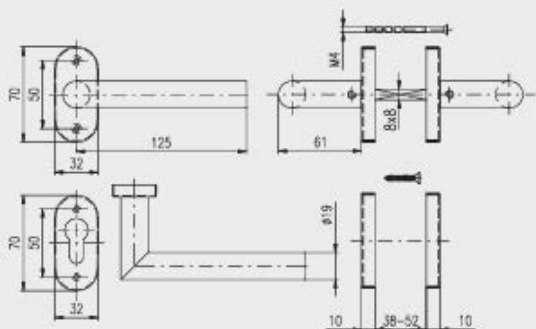


PVD titan matt

DOOR HANDLES

OVAL

- Material stainless steel
- Concealed steel under roses
- Classification acc. to EN 1906
- Stainless steel fasteners
- Door thickness 38-52 mm
- Included reversible spring



ALBACETTE

 stainless steel satin



BB



PZ



WC

VIGO

 stainless steel satin



BB



PZ



WC

Knob oval



DOOR HANDLES - screw mounting

EXCLUSIVE



knob design
- satin



stainless steel
satin



stainless steel
polished

804



stainless steel polished

BRIT



knob design
- satin



stainless steel satin

MONET



knob design - satin



stainless steel satin

DOOR HANDLES - through-the-door mounting

PERUN



stainless steel satin

Pitch: 72, 90, 92 mm

High durability, tested to 200 000 cycles. Each handle is firmly attached to the plate.

Spring loaded handles (both if handle-handle)

TEMPO



MONZUN



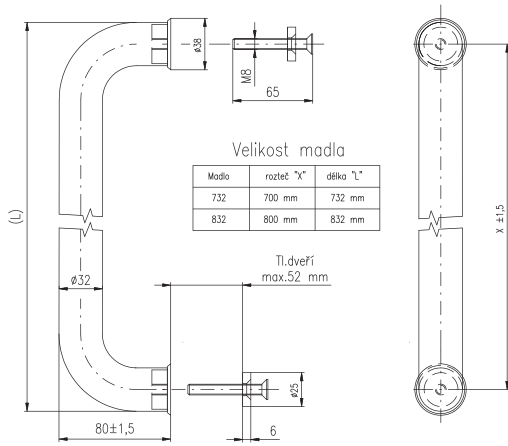
SURIVAL/30



SURIVAL/46



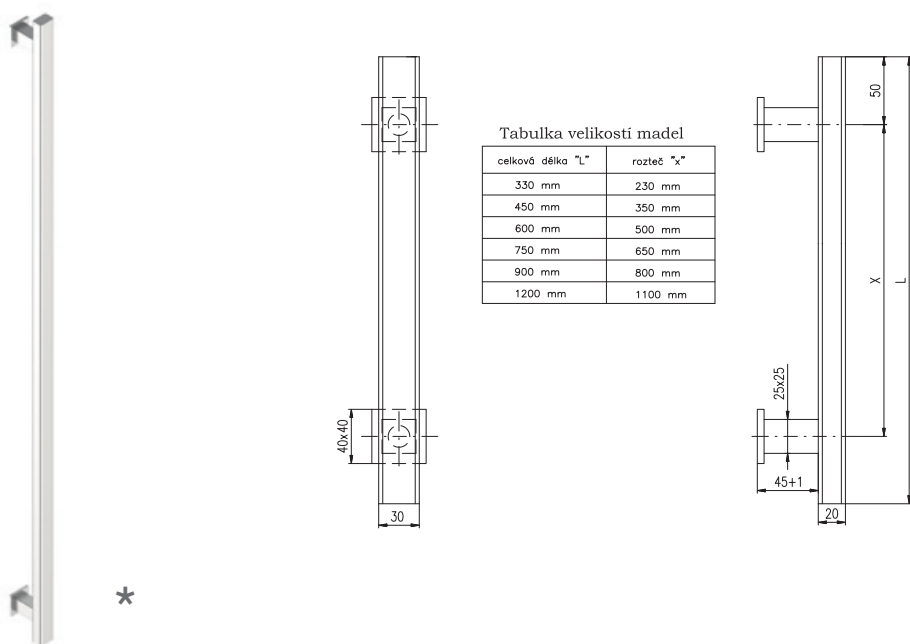
PULL HANDLE "U"



* in order to conceal the screws, the blind escutcheons are available on request
Available in stainless steel satin or in RAL variant acc. the sample book (page 3)

PULL HANDLES

PULL HANDLE ALFA - stainless steel satin

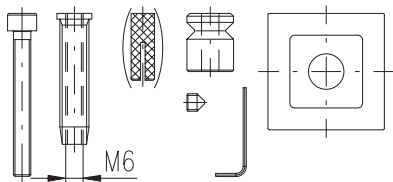


Tabulka velikosti model

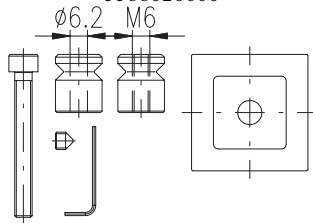
celková délka "L"	rozteč "x"
330 mm	230 mm
450 mm	350 mm
600 mm	500 mm
750 mm	650 mm
900 mm	800 mm
1200 mm	1100 mm

Pull handle is designed to be mounted on the door using screws M6. Suitable for outdoor use. Assembly material depends on mounting options below and it is not included.

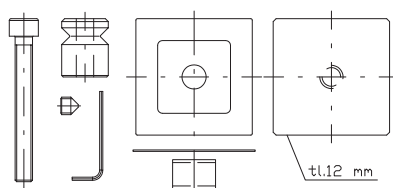
Single mounting
under 50 mm - 5088000000
over 50 mm - 5088010000



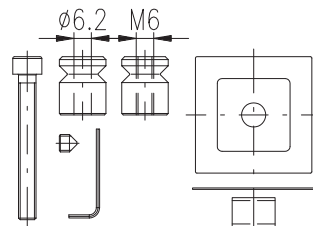
Back to back mounting
5588020000



Single mounting - glass door
5588030000

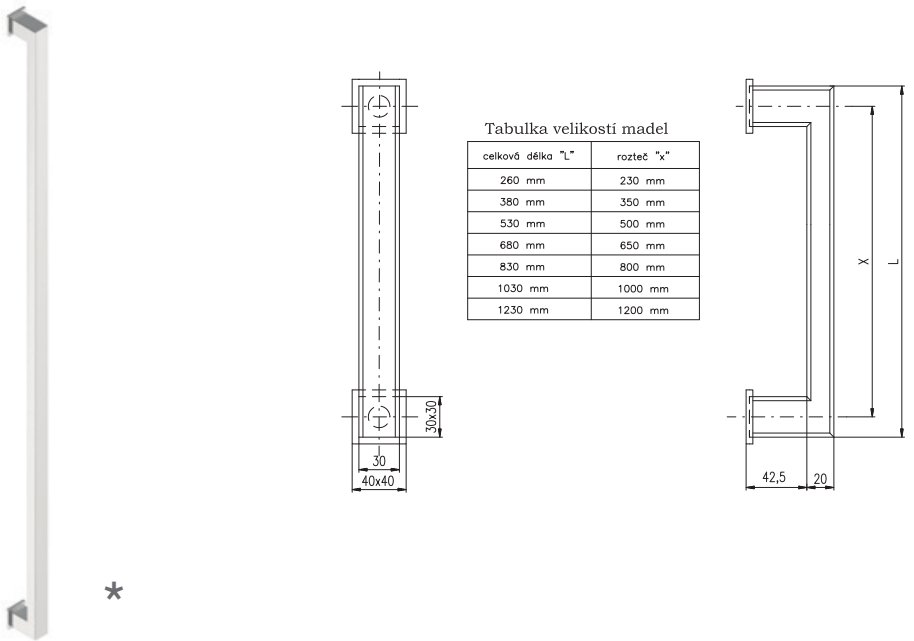


Back to back mounting - glass door
5588040000

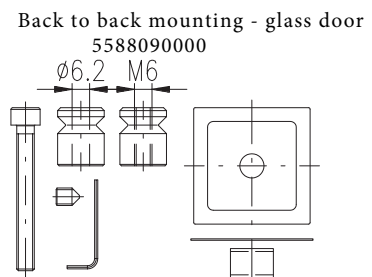
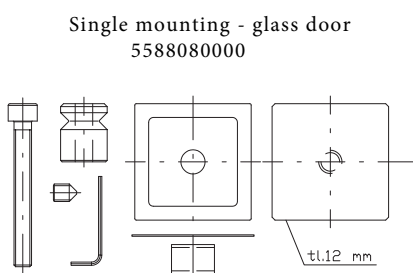
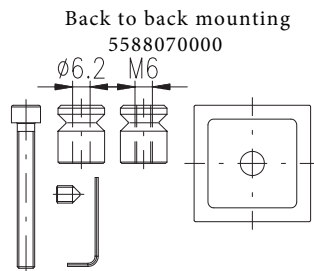
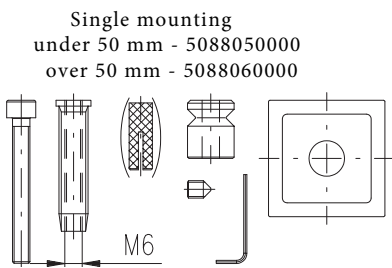


* Available in stainless steel satin or in RAL variant acc. the sample book (page 3)

PULL HANDLE BETA - stainless steel satin



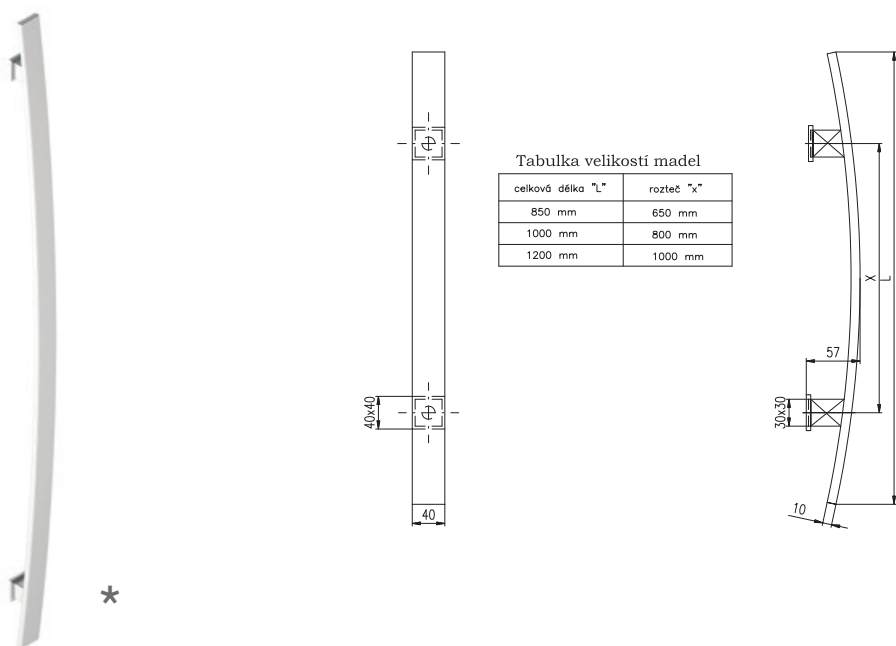
Pull handle is designed to be mounted on the door using screws M6. Suitable for outdoor use. Assembly material depends on mounting below and it is not included.



* Available in stainless steel satin or in RAL variant acc. the sample book (page 3)

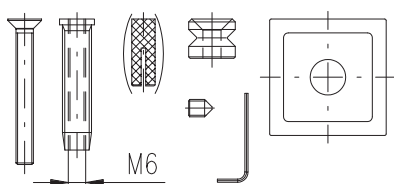
PULL HANDLES

PULL HANDLE GAMA - stainless steel satin

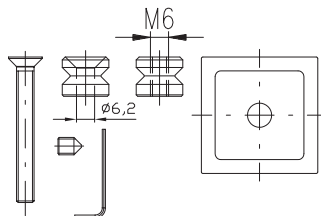


Pull handle is designed to be mounted on the door using screws M6. Suitable for outdoor use. Assembly material depends on mounting option below and it is not included.

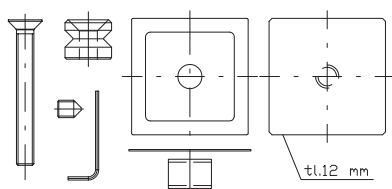
Single mounting
under 50 mm - 5088100000
over 50 mm - 5088110000



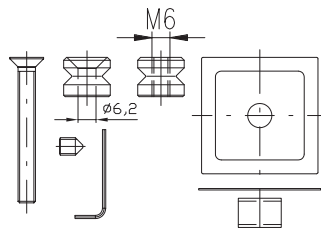
Back to back mounting
5588120000



Single mounting - glass door
5588130000



Back to back mounting - glass door
5588140000

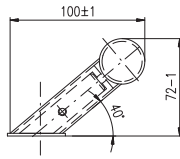


* Available in stainless steel satin or RAL variant acc. the sample book (page 3)

PULL HANDLE DELTA - stainless steel satin

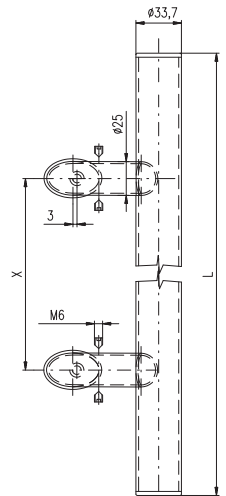


*



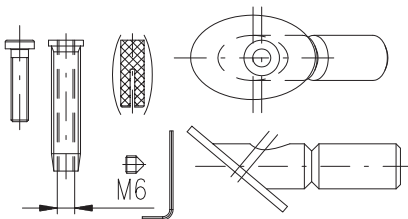
Tabulka velikostí model

celková délka "L"	rozteč "x"
300 mm	200 mm
400 mm	300 mm
500 mm	300 mm
600 mm	400 mm
800 mm	600 mm
1000 mm	700 mm
1200 mm	900 mm
1800 mm	1400 mm

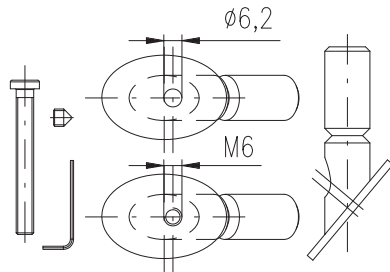


Pull handle is designed to be mounted on the door using screws M6. Suitable for outdoor use. Assembly material depends on mounting option below and it is not included

Single mounting
under 50 mm - 5088200000
over 50 mm - 5088210000



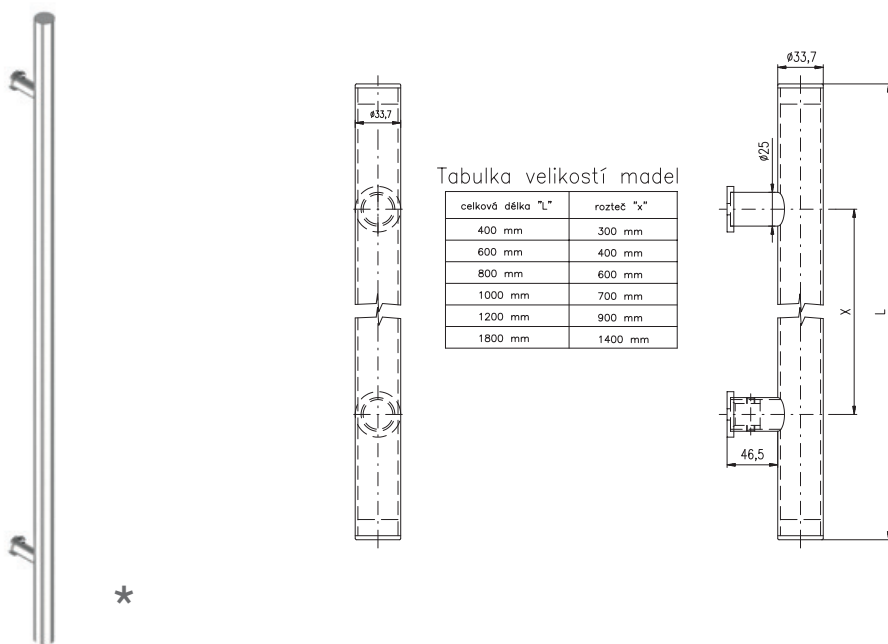
Back to back mounting
5588220000



* Available in stainless steel satin or in RAL variant acc. the sample book (page 3)

PULL HANDLES

PULL HANDLE OMEGA - stainless steel satin

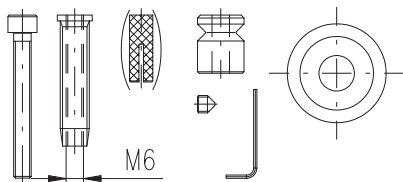


Tabulka velikostí model

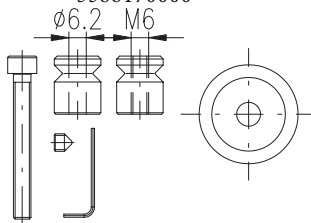
celková délka "L"	rozteč "x"
400 mm	300 mm
600 mm	400 mm
800 mm	600 mm
1000 mm	700 mm
1200 mm	900 mm
1800 mm	1400 mm

Pull handle is designed to be mounted on the door using screws M6. Suitable for outdoor use. Assembly material depends on mounting option below and it is not included

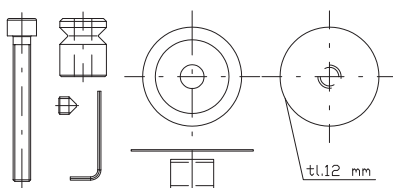
Single mounting
under 50 mm - 5088150000
over 50 mm - 5088160000



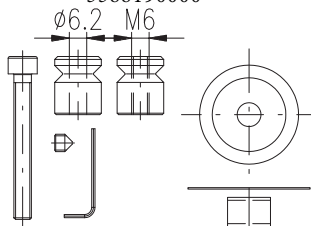
Back to back mounting
5588170000



Single mounting - glass door
5588180000



Back to back mounting - glass door
5588190000



* Available in stainless steel satin or in RAL variant acc. the sample book (page 3)

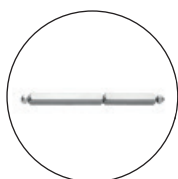
PANIC FITTING

Compatible with wide range of panic mortise locks. Possibility of using on escape route acc. EN 179

850 BORA/8 included split spindle - with reversible mechanism
handle-handle



handle-knob



DIN EN 179



Variant: left, right

Pitch: 72, 92 mm

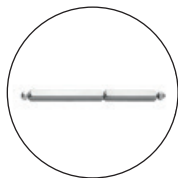
Door thickness: 40-75 mm

Included split spindle 8x8 and spindle reduction 9x9 mm (reduction 10x10 mm on request), two reversible mechanism if handle-handle option
Stainless steel satin

850 BORA/5 included split spindle (without reversible mechanism)

handle-handle

handle-knob



DIN EN 179



Variant: left, right

Pitch: 72, 90, 92 mm

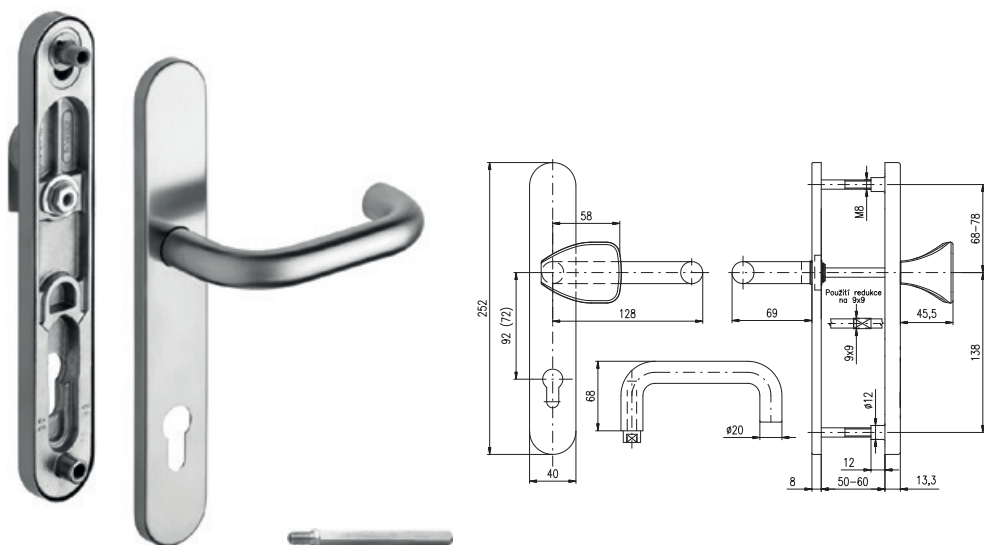
Door thickness: 40x-55 mm, 55-78 mm

Included split spindle 8x8 (spindle reduction 9x9 and 10x10 mm on request), without reversible mechanism

Stainless steel satin

SECURITY FITTING RX PANIC

BK RX802-40 PANIC stainless steel satin



Pitch: 72, 92 mm

Door thickness: 50-60 mm

Compatible with wide range of panic mortise locks. Suitable for escape routes acc. to EN 179.

With square spindle 8x8 mm, included spindle reduction 9x9 mm (10x10 mm on request). Lever handle-knob has one spring, handle-handle has two springs. Set is working only on the door opening outside.

Note: State the orientation of lever handle - left or right. Displayed set is pointing to the right.



BK RX807-40 PANIC

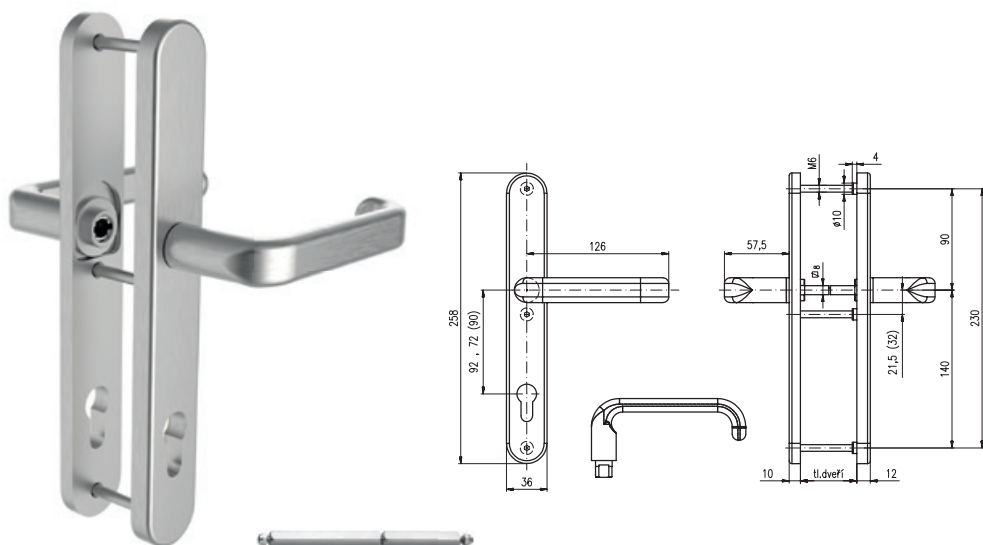
Variant handle-handle has two springs

Square spindle 8x8 mm



SECURITY FITTING GRANDE - PANIC

BK 807 GRANDE - PANIC stainless steel satin



Pitch: 72, 90, 92 mm

Door thickness: 50-60 mm

Compatible with wide range of mortise locks. Suitable for escape routes acc. to EN 179. High durability, tested to 200 000 cycles. Each handle is firmly attached to the plate. With square spindle 8x8 mm, included spindle reduction 9x9 mm (10x10 mm on request). Spring loaded handles on both sides.

Variant: left or right

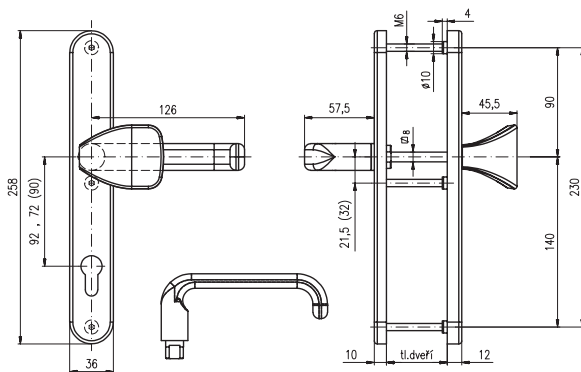
Certificated acc. EN 179 and EN 1906

Spindle 9x9 mm can be ordered separately



SECURITY FITTING GRANDE

BK 802 GRANDE stainless steel satin



Pitch: 72, 90, 92 mm

Door thickness: 40-50 mm

Compatible with wide range of mortise lock.

High durability, tested to 200 000 cycles.

Reversible spring for handle (variant handle-handle: spring loaded handles on both sides)

Variant: left or right

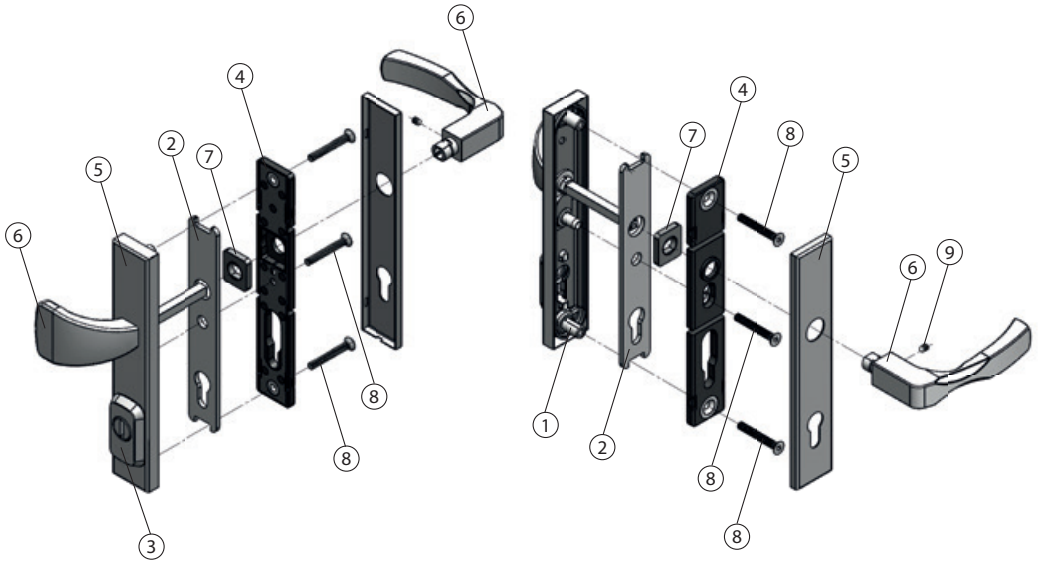
Certificated acc. EN 1906.



BK 807 GRANDE
stainless steel satin



DESIGN PARAMETERS RN

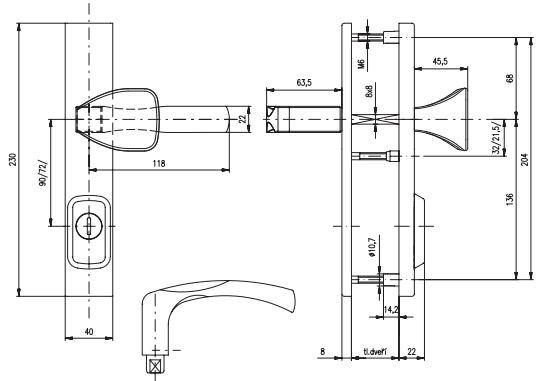


1. **Security back plate** - steel plate with three bolts
2. **Covering plate** - additional steel plate hardened up to 52 HRc
3. **Cylinder protector** - made from stainless steel casting with drilling resistant ring, hardened up to min. 50 HRc
4. **Inner plate with steel body**
5. **Front and outer shields made from stainless steel with resistant surface treatment**
6. **Stainless steel lever handle and knob**
7. **Reversible mechanism**
8. **Connection through screws M6 class 8.8** provide a tight and resistant connection of the backplates
9. **Grub screw for lever handle fixing**



Security fittings ROSTEX conforms to the requirements of EN 1906 standard for usage in burglary resistant doors. The design of the security fittings ROSTEX meets the test parameters prescribed within the standard and fulfill security demands of the resistant class 3.

BK RN1 MANDELO stainless steel satin



Pitch: 72, 90, 92 mm

Door thickness: 38-50 mm

For thicker door, see the fastening material on page 52

Cylinder must not protrude above the door surface more than 15,5 mm



BK RN4
MANDELO



BK RN802
MANDELO



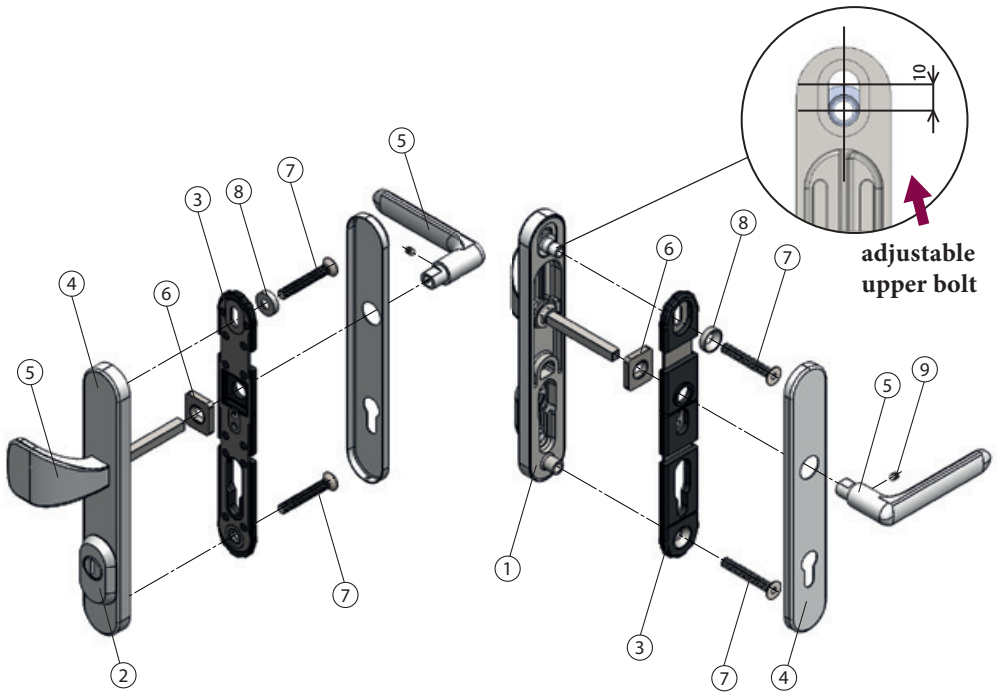
BK RN807
MANDELO



KNOB LUMINO



DESIGN PARAMETERS RX



ADJUSTABLE UPPER BOLT ENABLES SHIFTING ITS POSITION FROM THE RANGE 68-78 mm

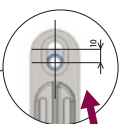
1. **Security backplate of the front shield with adjustable bolt** - massive steel casting
2. **Cylinder protector** made from stainless steel casting with drilling resistant ring, hardened up to min. 50 HRC
3. **Inner plate with steel body**
4. **Front and outer shield made from stainless steel with resistant surface treatment**
5. **Handles and knobs are made either from stainless steel or zinc alloy galvanic treatment, resistant to external environment**
6. **Reversible mechanism**
7. **High strength bolts M8 class 8.8, provide a tight and resistant connection of the backplates**
8. **Shaped washer of the upper bolt**
9. **Grub screw for lever handle fixing**



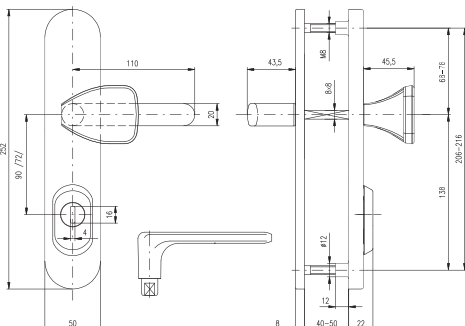
Security fittings ROSTEX conforms to the requirements of EN 1906 standard for a usage in burglary resistant doors. The design of the security fittings ROSTEX meets the test parameters prescribed within the standard and fulfill security demands of the resistant class 3

SECURITY FITTING RX

RX1-50 EXCLUSIVE stainless steel satin



adjustable upper bolt



Pitch: 72, 90, 92 mm

Door thickness: 40-50 mm

Fastening material: for thicker door, see fastening material on page 51

Cylinder must not protrude above the door surface more than 15,5 mm



RX4-50 EXCLUSIVE RX802-50 EXCLUSIVE RX807-50 EXCLUSIVE



KNOB LUMINO

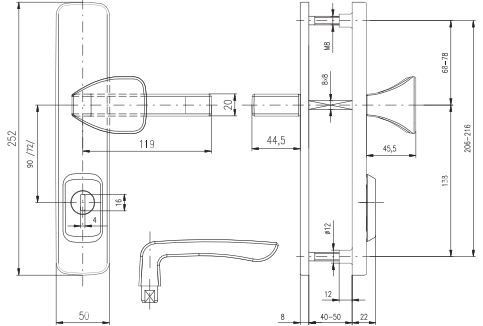


also available in polished and PVD finish



SECURITY FITTING RX

RX1 ASTRA stainless steel satin



Pitch: 72, 90, 92 mm

Door thickness: 40-50 mm

Fastening material: for thicker door, see fastening material on page 51

Cylinder must not protrude above the door surface more than 15,5 mm



RX4 ASTRA



RX802 ASTRA



RX807 ASTRA



KNOB LUMINO

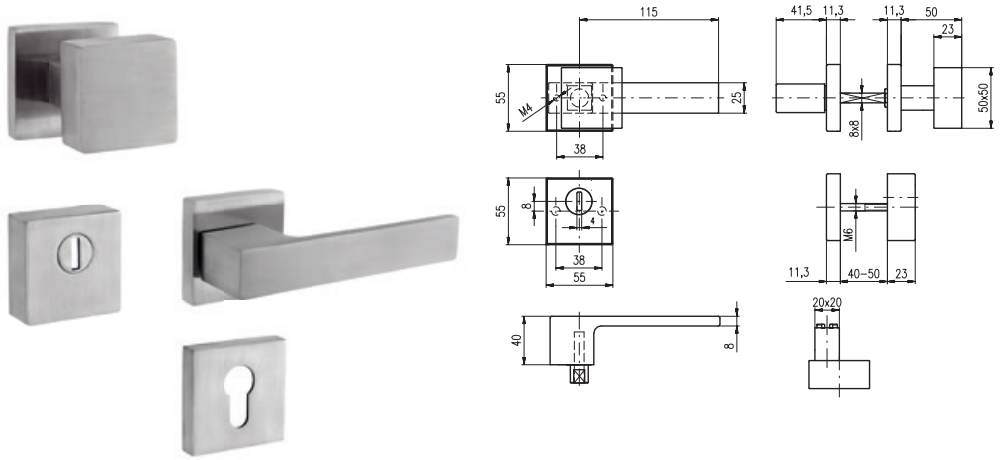


also available in polished and PVD finish



SECURITY FITTING RN ROSETTE

RN1/H RAVENA stainless steel satin



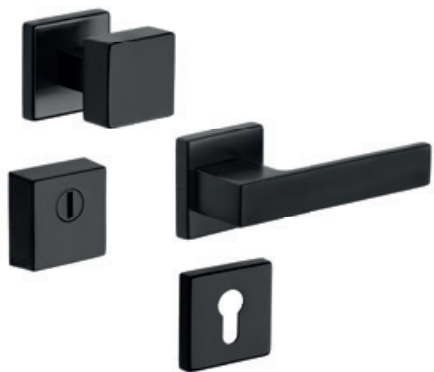
Door thickness: 40-50 mm

Fastening material: for thicker door, see fastening material on page 51

Cylinder must not protrude above the door surface more than 17 mm
Left or right variant



RN4/H RAVENA



RN1/H RAVENA
black

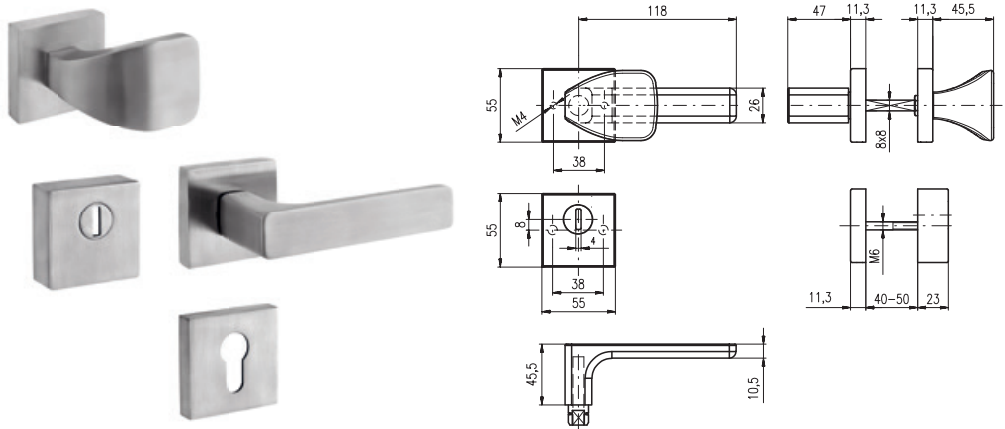


also available in PVD finish



SECURITY FITTING RN ROSETTE

RN1/H SAVONA stainless steel satin



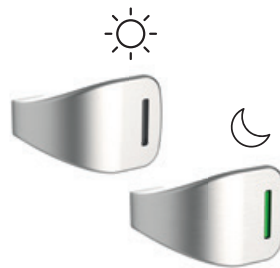
Door thickness: 40-50 mm

Fastening material: for thicker door, see fastenning material on page 51

Cylinder must not protrude above the door surface more than 17 mm
Left or right variant



RN4/H SAVONA



KNOB LUMINO

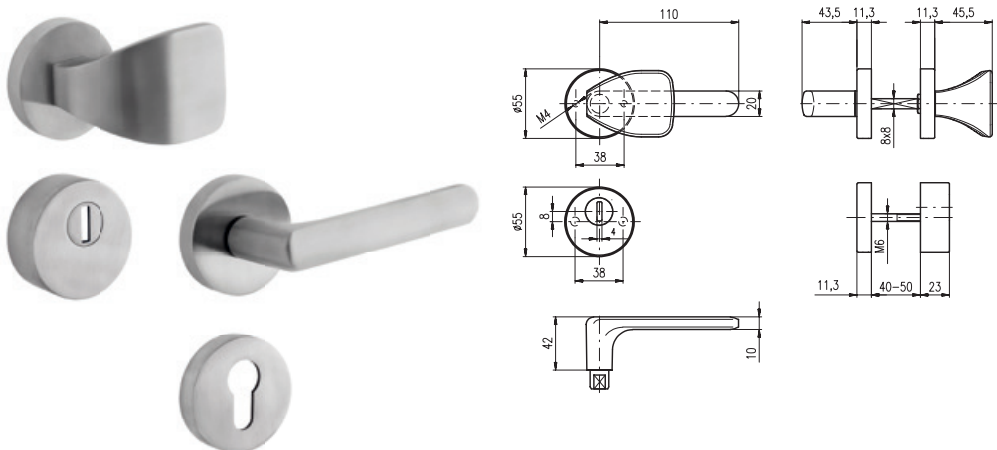


also available in black and PVD finish



SECURITY FITTING RN ROSETTE

RN1/S EXCLUSIVE stainless steel satin



Door thickness: 40-50 mm

Fastening material: for thicker door, see fastening material on page 51

Cylinder must not protrude above the door surface more than 17 mm

Left or right variant



RN4/S EXCLUSIVE

RN1/S VIGO

RN4/S VIGO



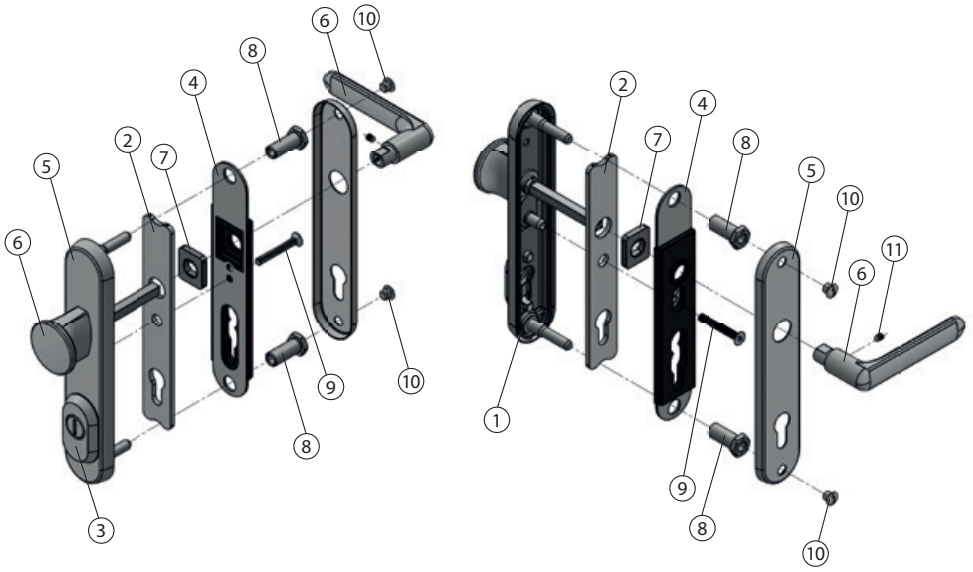
KNOB LUMINO



also available in black and PVD finish



DESIGN PARAMETERS R



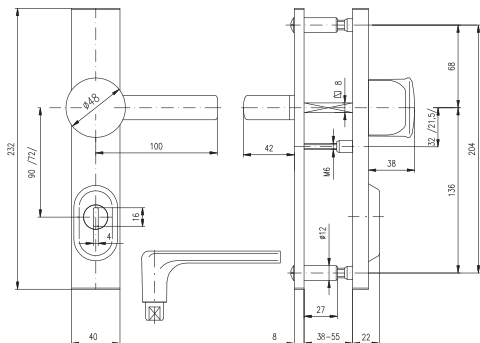
1. **Outer shield on the plate**
2. **Steel backplate** - th. 4 mm, hardened up to 52 HRC
3. **Cylinder protector** made from stainless steel casting with drilling resistant ring, hardened up to min. 50 HRC
4. **Inner plate with steel body**
5. **Inner shield made of stainless steel or brass with galvanic plating**
6. **Handles and knobs are made either from stainless steel or zinc alloy with galvanic treatment, resistant to external environment**
7. **Reversible mechanism**
8. **Connection bolts**
9. **Middle screw M6, class 8.8., provides a tight and resistant connection of the backplates**
10. **Cover screws**
11. **Grub screw for lever handle fixing**



Security fittings ROSTEX conforms to the requirements of EN 1906 standard for a usage in burglary resistant doors. The design of the security fittings ROSTEX meets the test parameters prescribed within the standard and fulfill security demands of the resistant class 3

SECURITY FITTING R

R1 stainless steel polished



Pitch: 72, 90 mm

Door thickness: 38-55 mm

Fastening material: for thicker door, see fastening material on page 51

Model handle-knob is also possible

Cylinder must not protrude above the door surface more than 15,5 mm



R4



802

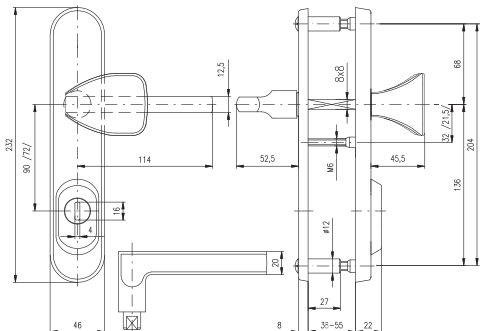


807



SECURITY FITTING R

R1/O BRIT stainless steel satin



Pitch: 72, 90 mm

Door thickness: 38-55 mm

Fastening material: for thicker door, see fastening material on page 51

Cylinder must not protrude above the surface more than 15,5 mm



R4/O BRIT



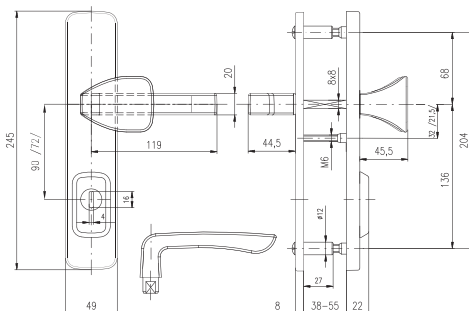
802/O BRIT



807/O BRIT



R1 ASTRA stainless steel satin



Pitch: 72, 90 mm

Door thickness: 38-55 mm

Fastening material: for thicker door, see fastening material on page 51

Cylinder must not protrude above the door surface more than 15,5 mm



R4 ASTRA



802 ASTRA



807 ASTRA



also available in stainless steel polished

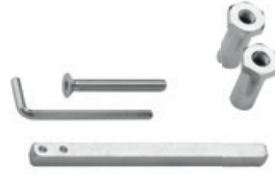


BK 802, R1



Fastenning material for 802, R1 door thickness 38-55 mm - standard. For 802, R1 door thickness 56-70 mm - further extensions per 15 mm up to 100 mm

BK 807, R4



Fastenning material for 807, R4 door thickness 38-55 mm - standard. For 807, R4 door thickness 56-70 mm - further extensions per 15 mm up to 100 mm

BK RX802, RX1



Fastenning material for RX802, RX1 door thickness 40-50 mm - standard. For RX802, RX1 door thickness 51-60 mm - further extensions per 10 up to 100 mm

BK RX807, RX4



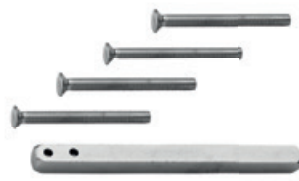
Fastenning material for RX807, RX4 door thickness 40-50 mm - standard. For RX807, RX4 door thickness 51-60 mm - further extensions per 10 up to 100 mm

BK RN1/H, RN1/S



Fastenning material for RN1/H, RN1/S door thickness 40-50 mm - standard. For RN1/H, RN1/S door thickness 51-55 mm - further extensions per 5 mm up to 100 mm

BK RN4/H, RN4/S



Fastenning material for RN4/H, RN4/S door thickness 40-50 mm - standard. For RN4/H, RN4/S door thickness 51-55 mm - further extensions per 5 mm up to 100 mm

FASTENNING MATERIAL

BK EL 1



Fastenning material for EL1, door thickness 40-50 mm - standard. Fastenning material for EL1, door thickness 51-60/61-70 mm - further extensions per 5 mm up to 100 mm

BK EL 4



Fastenning material for EL4, door thickness 40-50 mm - standard. Fastenning material for EL4, door thickness 51-60/61-70 mm - further extensions per 5 mm up to 100 mm

BK RN1, RN802



Fastenning material for RN1, RN802, door thickness 38-50 mm - standard. Fastenning material for RN1, RN802, door thickness 51-55 mm - further extensions per 5 mm up to 100 mm

BK RN4, RN807



Fastenning material for RN4, RN807, door thickness 38-50 mm - standard. Fastenning material for RN4, RN807, door thickness 51-55 mm - further extensions per 5 mm up to 100 mm

SPINDLES FOR PANIK FITTING

Split spindle PANIK 8x8 mm

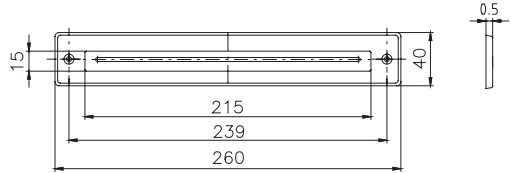
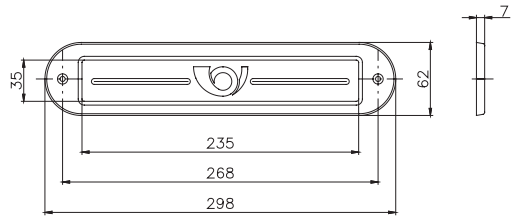


Split spindle PANIK 9x9 mm

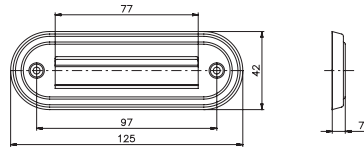


Length of the spindles: 120, 140 and 160 mm

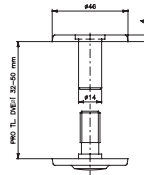
LETTER BOX *



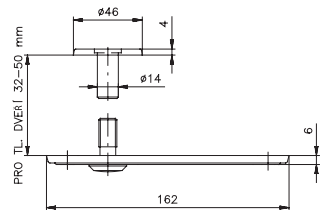
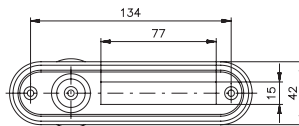
NAME PLATE ROUND *



DOOR VIEWER **



DOOR VIEWER WITH NAME PLATE OVAL **



* available in stainless steel satin, polished and black

** available in stainless steel satin and polished

ECONOMY LINE

It is intended for drilling and marking holes for the installation of ECONOMY LINE rose fittings for a cylinder, key, and WC locks with center distances of 90 and 72 mm. The holes for the rose with handle are drilled through drill bushings, while for the lower roses only the points for mounting the roses with screws are marked.



SECURITY FITTING RN ROSETTE

It is intended for drilling holes for the installation of RN security fittings with center distances of 72, 90, and 92 mm.



RX, EL

It is intended for drilling holes for the installation of RX security fittings with center distances of 90 or 72 mm in RC3, and EL fittings with center distances of 90 or 72 mm.



R, RN

It is intended for drilling holes for the installation of R and RN security fittings with center distances of 90 or 72 mm.



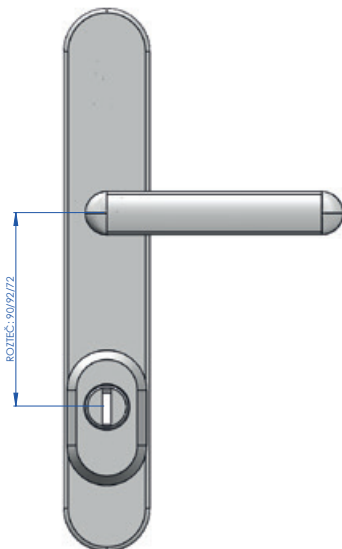
GRANDE

It is intended for drilling holes for installation with center distances of 72, 90, and 92 mm.



Center distance (lock spacing)

Distance between the axis of the handle and the axis of the cylinder. Most common distances are: 90 mm, 72 mm and 92 mm especially for plastic and aluminum doors.



Door thickness

This dimension is specified for individual types of fittings as a range. In the standard version, the fittings are designed for door thicknesses of 38–55 mm. For greater door thicknesses, we offer an extension set, i.e. a set of mounting fasteners for the required door thickness and type of fittings.

With or without cylinder protector?

The cylinder protector protects the cylinder against drilling and pulling out.

When choosing hardware with cylinder protector, it is necessary to select the correct cylinder length.

The cylinder must protrude 11-16 mm above the door surface under the security plate.

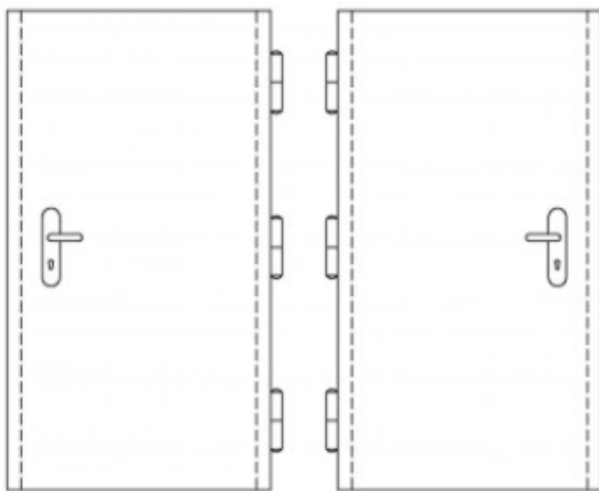
Otherwise, the cylinder will be too recessed and the key cannot be fully inserted.

Right or left handle

For asymmetrical handles that cannot be mounted on both sides, it is necessary to distinguish between right and left version.

RIGHT DOOR

LEFT DOOR



Security class

All ROSTEX security hardware is certified according to valid European standards and tested in accredited laboratories.

ROSTEX hardware is classified into three security classes.

The selection depends on the purpose of use and the security class of the door.



Door opening inward



Door opening outward



ROSTEX

ROSTEX VYŠKOV, s.r.o.
Dědická 190/17
682 01 Vyškov
Czech Republic

